

(00) 340382230000000009

Logomatic Series 400

Fully automatic labelling
for low volume applications



www.Logopak.com

Small, compact and
**unique body
splitting for
service access**



Industrial
Print & Apply Labelling

Models

- ✓ 410: for labels to 110 mm width
- ✓ 415: for labels to 156 mm width

Printing characteristics

- ✓ Thermal direct or thermal transfer printing method for labels up to A6
- ✓ Print resolution: 203 dpi or 300 dpi

Label material

- ✓ 400 m standard running length
- ✓ Outer diameter: 295 mm ± 5 mm
- ✓ Label core: 50/76/152 mm

Operation

- ✓ NEK touchscreen function for numeric entry
- ✓ Optional: TDI 10" colour display
 - with touchscreen function
 - with alphanumeric entry
 - multilingual user interface
 - current label display

Interfaces

- ✓ Integrated Ethernet port
- ✓ High-speed RS-232 or RS-422 (optional: plus 2x RS-232 or RS-422)
- ✓ Digital I/O (potential-free outputs)

Standard functions

- ✓ Standard barcodes and 2D codes
- ✓ Logos and graphics
- ✓ Internal article database
- ✓ Integrated real-time clock
- ✓ Individually programmable counters
- ✓ Fault diagnosis
- ✓ Compressed air monitoring
- ✓ Maintenance interval display

Ambient conditions

- ✓ Operating temperature: 5 °C – 37 °C
- ✓ Humidity: 20 % – 85 % relative, non-condensing
- ✓ Electrical connection: 88 – 264 Volt; 43 – 67 Hz
- ✓ Compressed air: 6 bar ½" BSP fixed, oil & water free

Frames and protective enclosure

- ✓ H foot frame
- ✓ R & K bespoke supports
- ✓ X & Y adjustable stands
- ✓ Optional: machine enclosure made from steel plate, with inspection windows, service doors and automatic flap control

Software

- ✓ Middleware package: LogoSoft
- ✓ Label design: LEAP Express
- ✓ Management software: LogoRemote
- ✓ Real-time connectivity
- ✓ Stand-alone

Additional options

- ✓ RFID
- ✓ Barcode verification (Vericoder)
- ✓ Barcode validation (Scanner)
- ✓ Low material warning
- ✓ Alarm pole
- ✓ Profibus/profinet
- ✓ Emergency stop
- ✓ Height and side adjustment (manual/automatic)
- ✓ Special solutions for demanding ambient conditions
- ✓ Enclosure in stainless steel and special colours available

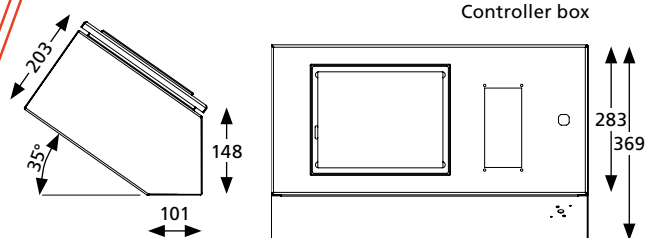
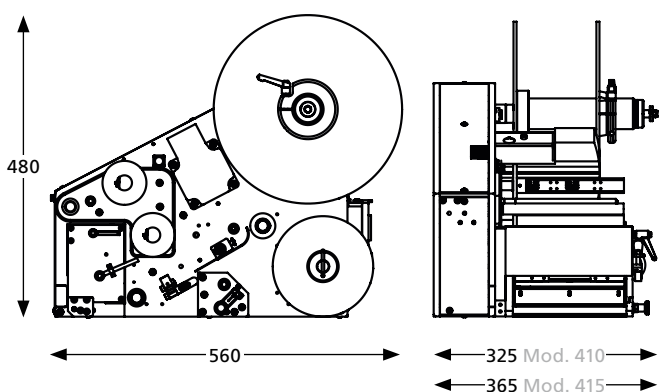
Certificates

- ✓ CE certified (EU)
- ✓ Optional: TR/EAC (RU)
- ✓ Optional: SASO (SA)
- ✓ Optional: UL 508 (US)

Spare parts/maintenance

- ✓ Full spare parts available worldwide
- ✓ Proven life expectancy of 10 years +
- ✓ Bespoke service support and preventive maintenance
- ✓ Telephone support

Modelle 410/415



Logopak Systeme GmbH & Co. KG
Dorfstraße 40 · D-24628 Hartenholm

www.Logopak.com

Logopak Systems AB, Göteborg (SE)
Logopak Corporation, Keene, NH (US)
Logopak Eastern Europe, Warszawa (PL)

Logopak Int. Ltd., York (UK)
Logopak S.A., Paris (FR)
Logopak B.V., Lijnden (NL)